

FIRE FIGHTING SYSTEM

PUMPS & CONTROL PANELS & PUMP ROOM

CONTROL PANELS

kW 0.37 - 15

Electronic panel for direct start-up of 1 single or three phase pump

kW 0.75 - 22

Electrical panel for control of main electric fire-fighting pump (direct start-up)

kW 4 - 132

Electrical panel for control of main electric fire-fighting pump (star-delta start-up)

kW 4 - 132

Electrical panel for control of main electric fire-fighting pump (impedance start-up)

kW 4 - 132

Electrical panel for start-up of main diesel fire-fighting pump



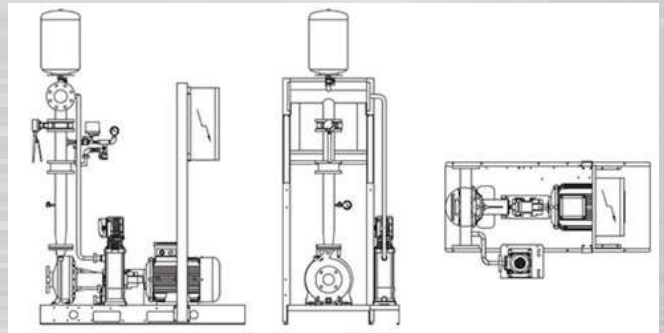
PUMPS DIESEL - ELECTRIC - JOCKEY PUMP

Fire fighting units are according to EN 12845

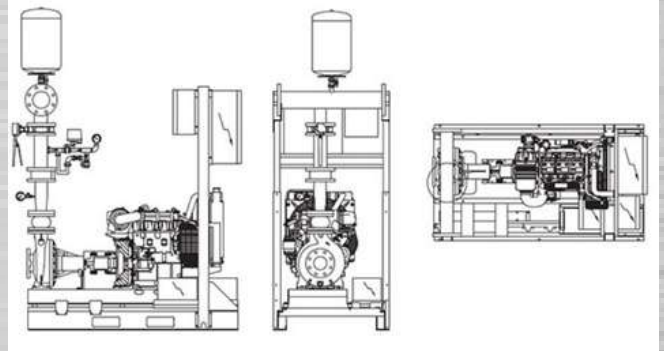




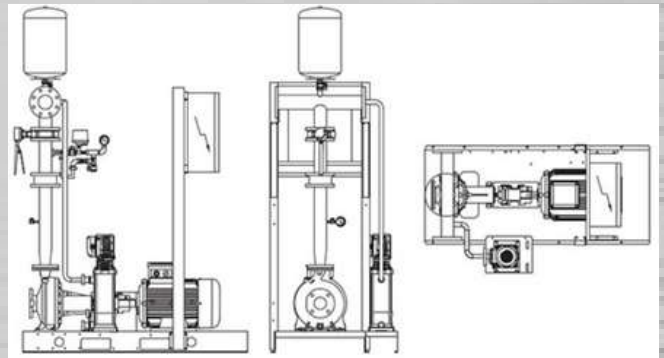
Fire Fighting Units with horizontal pumps back pull-out type, made according to standard EN 12845.
Nr.1 Main Electric Pump



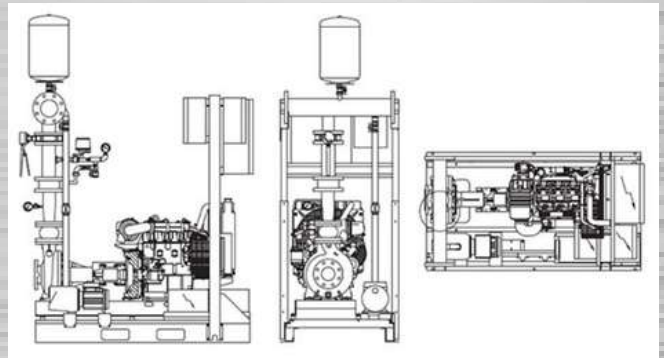
Fire Fighting Units with horizontal pumps back pull-out type, made according to standard EN 12845.
Nr. 1 Main Diesel Motor Pump



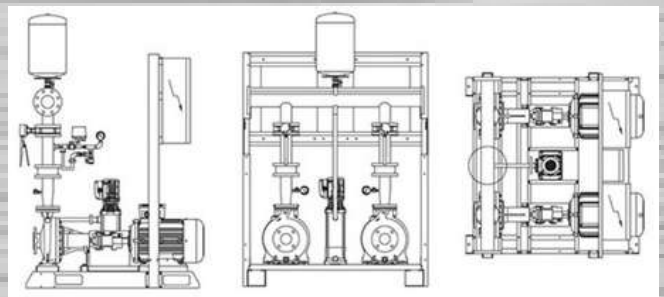
Fire Fighting Units with horizontal pumps back pull-out type, made according to standard EN 12845.
Nr. 1 Main Electric Pump + Nr. 1 Jockey Pump



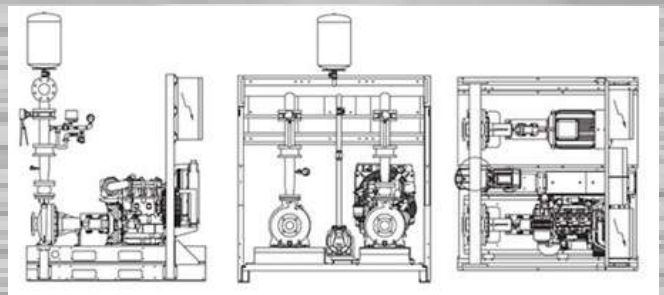
Fire Fighting Units with horizontal pumps back pull-out type, made according to standard EN 12845.
Nr. 1 Main Diesel Motor Pump + Nr. 1 Jockey Pump



Fire Fighting Units with horizontal pumps back pull-out type, made according to standard EN 12845.
Nr. 2 Main Electric Pumps + Nr. 1 Jockey Pump



Fire Fighting Units with horizontal pumps back pull-out type, made according to standard EN 12845.
Nr. 1 Main Electric Pump + Nr. 1 Main Diesel Pump + Nr. 1 Jockey Pump



Pump room made with prefabricated structural fire resistance **R60** the standard system set-up includes:

- the fire fighting unit EN12845 installed
- lighting
- heating
- and a fire extinguisher



and anything else required by the reference fire-fighting standards EN 12845, UNI 10779 and UNI11292.



Sloping roof on the two short sides, with a slope of 2% on each side. It is waterproofed by applying a hot-applied bitumen membrane.

- strategic public category 4
- seismic zone 1
- topographic category P3 up to 1,000 meters above sea level
- fire resistance R60
- reaction to fire class A1

